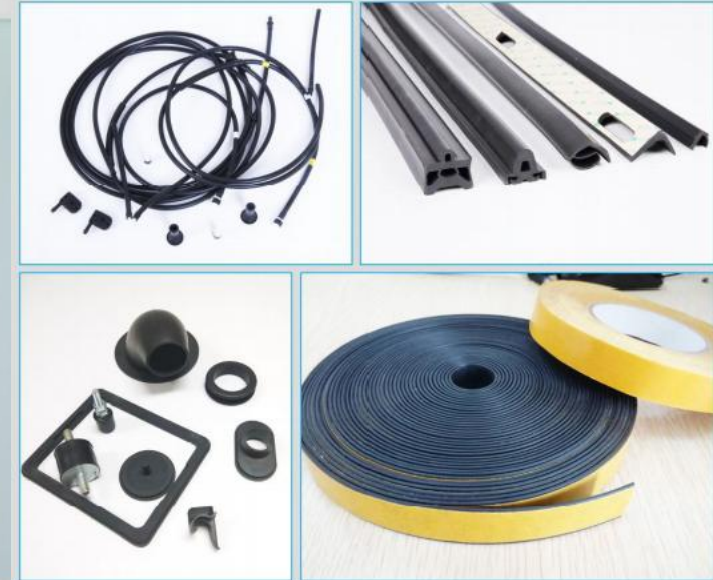




Dongguan Xingfeiyu Rubber and Plastic Products Co., Ltd.

Professional manufacturer of automotive sealing strips&washing water pipes



Dongguan Xingfeiyu Rubber and Plastic Products Co., Ltd.

Tel: 0769-33211378 0769-33211278

Email: jasmineruan@xingfeiyu.com

Web: www.xingfeiyu.com

Add: Zone A, Building 7, No. 88, Shali Road, Shabu Village, Dalang Town, Dongguan, Guangdong, CN



PRODUCT MANUAL



XINGFEIYU
兴飞宇

2024

XINGFEIYU

COMPANY PROFILE

OEM & ODM SERVICE

PROFESSIONAL MANUFACTURER OF EXTRUDING SILICONE RUBBER, PLASTIC
TUBE & SEALING STRIP FOR 13 YEARS

www.xingfeiyu.com



ABOUT US

Dongguan Xingfeiyu Rubber and Plastic Products Co., Ltd. (hereinafter referred to as "Xingfeiyu"), established in 2011, specialized in the production and manufacturing of various types of rubber, silicone, and plastic parts. Its product series includes various rubber hoses, rubber strips, and molded parts. Currently, it has been widely used in industries such as automobiles, new energy, containers, power and telecommunications cabinets, sports goods, engineering machinery, and electronic appliances.

The factory is located in Dongguan City, Guangdong Province, with a site area of approximately 5000 square meters. It has an independent standard production workshop, various automated rubber, silicone, plastic extrusion production lines, molding and vulcanization machines and other hardware facilities, which can support customers in the early development and after-sales maintenance of products. Currently, the annual production capacity of extruded parts can reach 60 million meters. At the same time, it has established a comprehensive quality laboratory with various testing equipment and adding testing specialists. Relevant standard inspections can be carried out from raw materials to finished products.

We have introduced a strict standardized management model and has successively passed the ISO9001:2015 and IATF1949:2016 quality management system qualification certification in the automotive industry. Our vision is to provide customers with a comprehensive range of more valuable and competitive rubber and plastic products through continuously improving technical support and quality control capabilities.



PRODUCT CATEGORY

1. Automotive washing tubes
2. Automotive sealing strips
3. Container sealing strips
4. Cabinet sealing strips
5. Rubber and silicone foam strips
6. Rubber profiles
7. Silicone profiles
8. TPV/TPE/PVC tubes/strips
9. Molded parts

CONTENTS

Certifications-----	00
Material type-----	01
About environmental protection-----	03
EPDM rubber tubes-----	05
EPDM strip-----	08
EPDM profiles-----	15
Silicone profiles-----	41
Silicone foam strip-----	59
PVC profiles-----	65
TPV profiles-----	70
Combined rubber strip-----	73
Molded parts-----	75
Production department-----	79
Lab equipment-----	81
Cooperation partner-----	84



Certificate of Registration

This certificate has been awarded to

Dongguan Xingfeiyu Rubber & Plastic Products Co., Ltd.

Area A, Factory 7, No.88, Shali Road, Shabu Village, Dalang Town, Dongguan City,
Guangdong Province, China

in recognition of the organization's Quality Management System which complies with

IATF 16949:2016

The scope of activities covered by this certificate is defined below

**Manufacture of Sealing Rubber Strip for Doors & Windows, Connecting Water
Pipe for Wipers and Scrubber (Excludes Product Design under Clause 8.3)
-[USI C99FFT]**

Certificate Number **86746/A/0001/SM/En**

A certificate number of 0001 confirms the Client has a single site Certified & the sites shall report to the Lead Office or Main Office (subject to the Certification with URS). A certificate number of 0002, or greater (e.g. 0002/0001/0001) refers to a client that has more than one site certified with URS, or more than the following statement just apply. The validity of this certificate depends on the validity of the main certificate.

Date of Issue of Certification Cycle	Issue Number	Certificate Expiry Date	Certification Cycle
03 February 2024	3	02 February 2027	3
Revision Date	Revision Number	Original Certificate Issue Date	Scheme Number
03 February 2024	0	24 March 2018	0499333

For detailed explanation for the data fields above, refer to <http://www.urs-holdings.com/logos-and-regulations>

Issued by

Mukesh Singhal - On behalf of the Schemes Manager



If there is any doubt as to the authenticity of this certificate, please do not hesitate to contact the Head Office of the Group on info@urs-certification.com
URS is a member of United Register of Systems (United Reg), United House, 20 House Hill, Bournemouth, BH2 9PL, UK. Company Registration no. 3228486



Certificate of Registration

This certificate has been awarded to

Dongguan Xingfeiyu Rubber & Plastic Products Co., Ltd.

Area A, Factory 7, No.88, Shali Road, Shabu Village, Dalang Town, Dongguan City,
Guangdong Province, China

in recognition of the organization's Quality Management System which complies with

ISO 9001:2015

The scope of activities covered by this certificate is defined below

**Manufacture of Sealing Rubber Strip for Doors & Windows, Connecting Water
Pipe for Wipers and Scrubber (Excludes Product Design under Clause 8.3)
-[USI C99FFT]**

Certificate Number **86746/AA/0001/SM/En**

A certificate number of 0001 confirms the Client has a single site Certified & the sites shall report to the Lead Office or Main Office (subject to the Certification with URS). A certificate number of 0002, or greater (e.g. 0002/0001/0001) refers to a client that has more than one site certified with URS, or more than the following statement just apply. The validity of this certificate depends on the validity of the main certificate.

Date of Issue of Certification Cycle	Issue Number	Certificate Expiry Date	Certification Cycle
03 February 2024	3	02 February 2027	3
Revision Date	Revision Number	Original Certificate Issue Date	Scheme Number
03 February 2024	0	24 March 2018	

For detailed explanation for the data fields above, refer to <http://www.urs-holdings.com/logos-and-regulations>

Issued by

Mukesh Singhal - On behalf of the Schemes Manager



If there is any doubt as to the authenticity of this certificate, please do not hesitate to contact the Head Office of the Group on info@urs-certification.com
URS is a member of United Register of Systems (United Reg), United House, 20 House Hill, Bournemouth, BH2 9PL, UK. Company Registration no. 3228486



EPDM



Silicone



TPV



PVC



TPE

Description of regular material types

I. Rubber series

1. EPDM (Ethylene Propylene Diene Monomer): It has superior aging resistance, acid and alkali resistance, and working temperatures range from -40 ° C to +120 ° C. It is commonly used in various types of water tubes, as well as sealing strips and components suitable for outdoor use.

2. NRB (Nitrile rubber): It has superior oil resistance and operates at temperatures between -40-+120°C. It is commonly used in various sealing components or oil pipe products.

3. SBR (Styrene Butadiene Rubber): an excellent waterproof rubber, commonly used as rubber pad products.

4. CR (chloroprene rubber): It has flame retardant properties, working temperature of -40-+120°C, acid and alkali resistance, and is commonly used in the production of flame retardant rubber products. The highest flame retardant effect can reach UL-94VO level.

II. Silicone series

1. The ordinary precipitation method of silica gel has relatively poor transparency and is suitable for using bis (2,4) sulfide. The product will have a strong odor and can evaporate to a slight odor after being left for 7-10 days. It is generally heat-resistant to around -40 ° C -+180 ° C.

2. Gas phase silicone, with superior transparency and tear resistance, is suitable for double two four vulcanization, and can also be vulcanized with platinum. The products after platinum vulcanization can be odorless. Conventional temperature resistance can reach -40 ° C -+180 ° C, and special modulation can also achieve a temperature resistance effect of 250-280 ° C

III. Plastic series

1. TPV: Thermoplastic modified rubber, made by blending PP+EPDM, with a conventional specific gravity of about 1.0. It is one of the lightweight materials required. Compared with EPDM, it does not have an advantage in tear resistance. This material is commonly used for the production of sealing strip products and injection molded parts.

2. TPE: Thermoplastic elasticity, base material is SEBS, with a conventional specific gravity of 0.9 and a hardness range of 30-70 degrees.

3. PVC: Polyvinyl chloride material, with flame retardant properties and affordable price.

About engineering development

1. Development and design: we have dedicated engineering development personnel who can design the raw material, product structure, and shape of corresponding products according to the customer's requirements. Also can design and ultimately produce samples based on the customer's existing drawings or samples.
2. Mold development: Conventional extrusion molds can develop samples within 3-5 days, while molded products can be produced within 5-7 days.
3. Samples available: 3-7 days



Molding molds



Corner mold



Extrusion mold



Extrusion mold

Regarding dimensional tolerances:

1. The standard for the tolerance of extruded dense products: GB/T3672.1-2002/ISO 3302-1:2014.
2. The standard for tolerance of extruded foamed products: ASTM D 1056_2000_ Standard technical specification for flexible porous materials sponge or foam rubber.
3. The standard for tolerances of molded parts: GB/T3672.1-2002/ISO 3302-1:2014.
4. If the customer has other dimensional tolerance requirements, they can follow the dimensional tolerance standards requested by the customer.



Environmental protection

All types of our products can meet ROHS standards, and all types of materials can provide annual environmental inspection reports. Products with demand can be sent to a third party for special environmental protection testing, and third-party testing reports can be provided.

Flame retardant requirements:

All types of our products can meet flame retardant requirements, with the highest level reaching UL-94VO level and conventional V1 and V2 levels.

Lead time: 7 days after we receive the order.

Package:

Our extruded products are usually packaged in paper rolls, with a quantity of 100-500 meters per roll depending on the product. Carton packaging can also be used. Logistics products from other regions can be shipped by dragging according to customer requirements..

Delivery and shipping: DHL, UPS, FedEx, S.F. Express

Warranty period:

All of our products can provide a warranty period statement. Conventional automotive products can be guaranteed for 3 years and 80000 kilometers or 5 years and 100000 kilometers. During the warranty period, any problems caused by our company's quality problems can be replaced or compensated according to the actual losses suffered by customers.



报告编号: BLH9VE2Z99979919
页码: 1 of 2



测试报告

委托方信息

委托方名称: 东莞市兴飞宇橡塑制品有限公司
地址: 广东省东莞市大朗镇沙步村沙利路 88 号 7 号厂房

以下测试之样品及样品信息是由委托方所提供并确认

样品名称: 橡胶测试片
零件号/型号: /
材质: /
样品接收日期: 2018-06-13
样品测试日期: 2018-06-14 到 2018-06-21

测试项目: 对送检样品进行总碳散发、苯、甲苯、二甲苯的测试

测试依据: 请参见下页

测试结果: 请参见下页

编制: 许书表 审核: 杨 批准: 张丽丽



Code: g5xp5wm

北京实验室: 010-62918116 上海实验室: 021-64851999 东莞实验室: 0769-85159998 西安实验室: 029-88756660 武汉实验室: 027-83471211
天津实验室: 022-26397900 南京实验室: 025-84851999 佛山实验室: 0755-85159998 成都实验室: 028-85159998 郑州实验室: 0371-85159998
苏州实验室: 0512-62918116 杭州实验室: 0571-85159998 烟台实验室: 0531-85159998 青岛实验室: 0532-62918116
西安实验室: 029-88756660 太原实验室: 0351-85159998 济南实验室: 0531-85159998 西安实验室: 029-88756660
西安实验室: 029-88756660 太原实验室: 0351-85159998 济南实验室: 0531-85159998 西安实验室: 029-88756660
西安实验室: 029-88756660 太原实验室: 0351-85159998 济南实验室: 0531-85159998 西安实验室: 029-88756660



报告编号: BLH9VE2Z99979919
页码: 2 of 2



测试依据及设备:

测试项目	测试依据	限值依据	测试设备	检出限
总碳散发	VDA277-1995	根据委托单位要求	顶空进样器-气相色谱仪	5.0µgC/g
苯、甲苯、间二甲苯、邻二甲苯、对二甲苯	VDA277-1995	根据委托单位要求	顶空进样器-气相色谱仪	0.1µg/g

测试环境:

温度 23°C±2°C, 相对湿度 50%RH±5%RH.

测试结果:

1、总碳散发测试

试验样品取样量: 1.000g

测试结果(µgC/g)	1	2	3	报告值	限值	结论
	47.5	47.7	48.6	47.9	<50	符合

备注: µgC/g = 微克每克

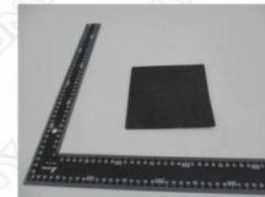
2、苯、甲苯、二甲苯测试

测试项目	测试结果, µg/g	限值, µg/g	结论
苯	N.D.	<5	符合
甲苯	N.D.	<5	符合
对二甲苯	N.D.	<15	符合
间二甲苯	N.D.		
邻二甲苯	N.D.		

备注: (1) µg/g = 微克每克

(2) N.D. = 小于检出限 (或未检出)

附录: 样品照片



报告结束

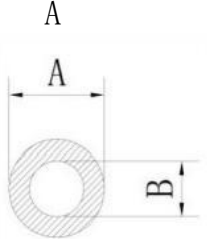


地址: 上海浦东川沙路 1018 号 1018 室 2 楼

北京实验室: 010-62918116 上海实验室: 021-64851999 东莞实验室: 0769-85159998 西安实验室: 029-88756660 武汉实验室: 027-83471211
天津实验室: 022-26397900 南京实验室: 025-84851999 佛山实验室: 0755-85159998 成都实验室: 028-85159998 郑州实验室: 0371-85159998
苏州实验室: 0512-62918116 杭州实验室: 0571-85159998 烟台实验室: 0531-85159998 青岛实验室: 0532-62918116
西安实验室: 029-88756660 太原实验室: 0351-85159998 济南实验室: 0531-85159998 西安实验室: 029-88756660
西安实验室: 029-88756660 太原实验室: 0351-85159998 济南实验室: 0531-85159998 西安实验室: 029-88756660
西安实验室: 029-88756660 太原实验室: 0351-85159998 济南实验室: 0531-85159998 西安实验室: 029-88756660



EPDM rubber tube series

Product's picture	Material	Color	Spec(AxB)
	EPDM	Customized	4.0x2.0
	EPDM	Customized	5.0x2.0
	EPDM	Customized	5.0x3.0
	EPDM	Customized	6.0x2.0
	EPDM	Customized	6.0x3.0
	EPDM	Customized	6.0x4.0
	EPDM	Customized	7.0x2.0
	EPDM	Customized	7.0x3.0
	EPDM	Customized	7.0x4.0
	EPDM	Customized	7.0x5.0
	EPDM	Customized	8.0x2.0
	EPDM	Customized	8.0x3.0
	EPDM	Customized	8.0x4.0
	EPDM	Customized	8.0x5.0
	EPDM	Customized	8.0x6.0
	EPDM	Customized	9.0x3.0
	EPDM	Customized	9.0x4.0
	EPDM	Customized	9.0x5.0
	EPDM	Customized	9.0x6.0
	EPDM	Customized	9.0x7.0
	EPDM	Customized	10x4.0
	EPDM	Customized	10x5.0
	EPDM	Customized	10x6.0
	EPDM	Customized	10x7.0
	EPDM	Customized	10x8.0
	EPDM	Customized	11x5.0
	EPDM	Customized	11x6.0
	EPDM	Customized	11x7.0
EPDM	Customized	11x8.0	

*Outer diameter: 12mm~50mm, inner diameter: 10mm~40mm, other size can be customized.

*Can be customized with flame retardant, insulating, and conductive rubber hoses.

*Dense rubber hoses can be used for silicone and plastic materials other than rubber.

EPDM rubber tube series

Testing items and instructions for automotive rubber washing tubes

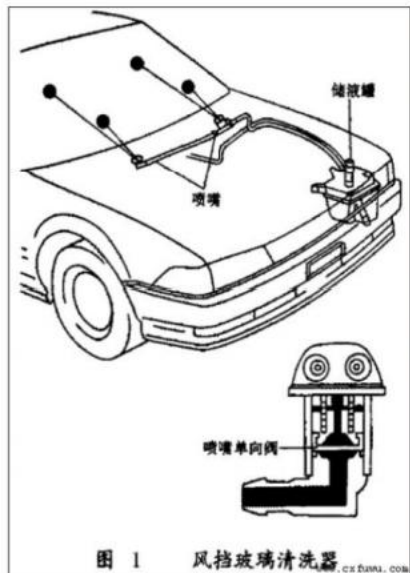
Items	Requirement	Standard
Material performance		
Hardness	6083	GB/T531.1-2008
Tensile strength	7-11MPa	
Elongation at break	≥250%	GB/T528-2009
Tear strength	40~80KN/M	
Hot air aging test 100°C * 70H		
Change in hardness	0--+10	
Change in tensile strength	max -25%	GB/T3512
Change in elongation at break	max -25%	
Hot air aging test 125 °C * 70H		
Compression permanent deformation change rate	max 50%	GB/T3512
Compression permanent deformation of 100 °C * 70h * 25% test block φ A cylinder with a diameter of 29 ± 0.5mm and a height of 2.5 ± 0.5mm, with a compression rate of 25%	max 35%	GB/T7759
Low temperature brittleness test		
Impact after 3 minutes at -40 °C temperature	Crack-free	GB/T1682
Ozone resistance test with 20% stretch, placed at a temperature of 40 ± 1 °C; The ozone concentration is (50 ± 5) × 10-8,70H	Crack-free	GB/T7762
Rubber tube testing item		
Specifications and dimensions	inner diameter, outer diameter, wall thickness	GB/T3672.1-2002/ISO3302-1:2014
Visual inspection	External surface: The surface is smooth, without protrusions, pits, cracks, or holes, and the incision is flat and free of skewness Inner surface: The inner wall is smooth, without scratches or damages, cracks or holes, and no blockages. Printing effect: Use a computer inkjet printer to print according to customer requirements	Refer to Ford's requirements
Burst pressure	≥0.4MPa	Refer to Ford's requirements
Insertion force of connector	≤60N	Refer to Ford's requirements
Pulling force of connector	≥70N	Refer to Ford's requirements
Bending test (Ford)	After bending, the 2.0mm steel ball passes smoothly	Refer to Ford's requirements
Closed water pressure resistance test	<0.29mpa	Refer to Ford's requirements
Low temperature resistance -40 °C	Rubber tube without cracks	HG/T2491-2010
High temperature resistance (hot air aging at 100 °C, 125 °C)		GB/T3512-2014
Ozone resistance ≥ 50pphm	Rubber tube without cracks	GB/T7762-2014

Specification and material description of water tubes

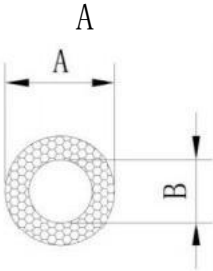
General specifications of water tubes: OD * ID/mm	Material	General specifications of wiper arm water pipe: OD * ID/mm	Material	General specifications of sunroof guide tubes: OD * ID/mm	Material
7.0*3.7	EPDM	4.9*2.5	Silicone rubber	15*12	EPDM/TPV
7.0*3.8	EPDM/PVC	5.5*3.0	EPDM		
7.0*3.9	EPDM	5.5*3.2	Silicone rubber		
7.0*4.0	EPDM	5.7*3.0	EPDM		
8.0*3.8	EPDM	5.0*3.0	EPDM		
8.0*4.0	EPDM	5.0*4.0	EPDM		
		5.35*3.2	Silicone rubber		
		5.35*3.9	Silicone rubber		
		5.5*3.7	EPDM		
		5.8*4.0	Silicone rubber		



EPDM washing tubes



EPDM tube

Product's picture	Material	Density	Color	Spec(AxB)	Remarks
	EPDM	0.2~0.8	Customized	6.0x3.0	
	EPDM	0.2~0.8	Customized	6.0x4.0	
	EPDM	0.2~0.8	Customized	7.0x3.0	
	EPDM	0.2~0.8	Customized	7.0x4.0	
	EPDM	0.2~0.8	Customized	7.0x5.0	
	EPDM	0.2~0.8	Customized	8.0x3.0	
	EPDM	0.2~0.8	Customized	8.0x4.0	
	EPDM	0.2~0.8	Customized	8.0x5.0	
	EPDM	0.2~0.8	Customized	8.0x6.0	
	EPDM	0.2~0.8	Customized	9.0x4.0	
	EPDM	0.2~0.8	Customized	9.0x5.0	
	EPDM	0.2~0.8	Customized	9.0x6.0	
	EPDM	0.2~0.8	Customized	9.0x7.0	
	EPDM	0.2~0.8	Customized	10.0x5.0	
	EPDM	0.2~0.8	Customized	10.0x6.0	
	EPDM	0.2~0.8	Customized	10.0x7.0	
	EPDM	0.2~0.8	Customized	11.0x6.0	
	EPDM	0.2~0.8	Customized	11.0x7.0	
	EPDM	0.2~0.8	Customized	12.0x6.0	
	EPDM	0.2~0.8	Customized	12.0x8.0	
	EPDM	0.2~0.8	Customized	13.0x6.0	
	EPDM	0.2~0.8	Customized	13.0x8.0	
	EPDM	0.2~0.8	Customized	13.0x9.0	
	EPDM	0.2~0.8	Customized	15.0x7.0	
EPDM	0.2~0.8	Customized	15.0x8.0		
EPDM	0.2~0.8	Customized	15.0x9.0		
EPDM	0.2~0.8	Customized	16.0x7.0		
EPDM	0.2~0.8	Customized	16.0x8.0		
EPDM	0.2~0.8	Customized	16.0x9.0		
EPDM	0.2~0.8	Customized	18.0x6.0		
EPDM	0.2~0.8	Customized	18.0x8.0		



EPDM strip

Product's picture	Material	Density	Color	Spec	Remarks
	EPDM	0.2~0.8	Customized	φ2.0	
	EPDM	0.2~0.8	Customized	φ3.0	
	EPDM	0.2~0.8	Customized	φ3.5	
	EPDM	0.2~0.8	Customized	φ4.0	
	EPDM	0.2~0.8	Customized	φ4.5	
	EPDM	0.2~0.8	Customized	φ5.0	
	EPDM	0.2~0.8	Customized	φ6.0	
	EPDM	0.2~0.8	Customized	φ7.0	
	EPDM	0.2~0.8	Customized	φ8.0	
	EPDM	0.2~0.8	Customized	φ9.0	
	EPDM	0.2~0.8	Customized	φ10.0	
	EPDM	0.2~0.8	Customized	φ12.0	
	EPDM	0.2~0.8	Customized	φ15.0	
	EPDM	0.2~0.8	Customized	φ16.0	
	Product's picture	Material	Density	Color	Spec(WxT)
	EPDM	0.2~0.8	Customized	8x4	
	EPDM	0.2~0.8	Customized	8x5	
	EPDM	0.2~0.8	Customized	10x4	
	EPDM	0.2~0.8	Customized	10x5	
	EPDM	0.2~0.8	Customized	12x5	
	EPDM	0.2~0.8	Customized	12x6	
	EPDM	0.2~0.8	Customized	13x7	
	EPDM	0.2~0.8	Customized	13x8	
	EPDM	0.2~0.8	Customized	14x7	
	EPDM	0.2~0.8	Customized	14x8	
	EPDM	0.2~0.8	Customized	15x5	
	EPDM	0.2~0.8	Customized	15x8	
	EPDM	0.2~0.8	Customized	16x3	
	EPDM	0.2~0.8	Customized	17x7	
	EPDM	0.2~0.8	Customized	18x8	

EPDM strip

Product's picture	Material	Density	Color	Spec(WxT)	Remarks
	EPDM	0.2~0.8	Customized	12.7x6.3	
	EPDM	0.2~0.8	Customized	2.0x8.0	
	EPDM	0.2~0.8	Customized	10x2.0	
	EPDM	0.2~0.8	Customized	15x2.0	
	EPDM	0.2~0.8	Customized	25x2.0	
	EPDM	0.2~0.8	Customized	5.0x3.0	
	EPDM	0.2~0.8	Customized	8.0x3.0	
	EPDM	0.2~0.8	Customized	10x3.0	
	EPDM	0.2~0.8	Customized	15x3.0	
	EPDM	0.2~0.8	Customized	20x3.0	
	EPDM	0.2~0.8	Customized	25x3.0	
	EPDM	0.2~0.8	Customized	30x3.0	
	EPDM	0.2~0.8	Customized	35x3.0	
	EPDM	0.2~0.8	Customized	40x3.0	
	EPDM	0.2~0.8	Customized	50x3.0	
	EPDM	0.2~0.8	Customized	80x3.0	
	EPDM	0.2~0.8	Customized	18x3.0	
	EPDM	0.2~0.8	Customized	15x4.0	
	EPDM	0.2~0.8	Customized	20x4.0	
	EPDM	0.2~0.8	Customized	25x4.0	
	EPDM	0.2~0.8	Customized	12x4.0	
	EPDM	0.2~0.8	Customized	10x5.0	
	EPDM	0.2~0.8	Customized	15x5.0	
	EPDM	0.2~0.8	Customized	20x5.0	
	EPDM	0.2~0.8	Customized	23x5.0	
	EPDM	0.2~0.8	Customized	25x5.0	
	EPDM	0.2~0.8	Customized	30x5.0	
	EPDM	0.2~0.8	Customized	40x5.0	
	EPDM	0.2~0.8	Customized	70x5.0	
	EPDM	0.2~0.8	Customized	6.0x6.0	
	EPDM	0.2~0.8	Customized	10x6.0	
	EPDM	0.2~0.8	Customized	12x6.0	
	EPDM	0.2~0.8	Customized	15x6.0	



EPDM strip

Product's picture	Material	Density	Color	Spec(WxT)	Remarks
	EPDM	0.2~0.8	Customized	20x6.0	
	EPDM	0.2~0.8	Customized	10x7.0	
	EPDM	0.2~0.8	Customized	15x7.0	
	EPDM	0.2~0.8	Customized	20x7.0	
	EPDM	0.2~0.8	Customized	8.0x8.0	
	EPDM	0.2~0.8	Customized	10x8.0	
	EPDM	0.2~0.8	Customized	12x8.0	
	EPDM	0.2~0.8	Customized	15x8.0	
	EPDM	0.2~0.8	Customized	16x8.0	
	EPDM	0.2~0.8	Customized	18x8.0	
	EPDM	0.2~0.8	Customized	10x10	
	EPDM	0.2~0.8	Customized	12x10	
	EPDM	0.2~0.8	Customized	15x10	
	EPDM	0.2~0.8	Customized	20x10	
	EPDM	0.2~0.8	Customized	25x10	
	EPDM	0.2~0.8	Customized	30x10	
	EPDM	0.2~0.8	Customized	35x10	
	EPDM	0.2~0.8	Customized	40x10	
	EPDM	0.2~0.8	Customized	20x12	
	EPDM	0.2~0.8	Customized	20x13	
	EPDM	0.2~0.8	Customized	15x15	
	EPDM	0.2~0.8	Customized	20x15	
	EPDM	0.2~0.8	Customized	25x15	
	EPDM	0.2~0.8	Customized	32x15	
	EPDM	0.2~0.8	Customized	35x15	
	EPDM	0.2~0.8	Customized	30x16	
	EPDM	0.2~0.8	Customized	34x16	
	EPDM	0.2~0.8	Customized	35x18	
	EPDM	0.2~0.8	Customized	20x20	
	EPDM	0.2~0.8	Customized	22x20	
	EPDM	0.2~0.8	Customized	25x20	
	EPDM	0.2~0.8	Customized	25x25	
	EPDM	0.2~0.8	Customized	30x25	

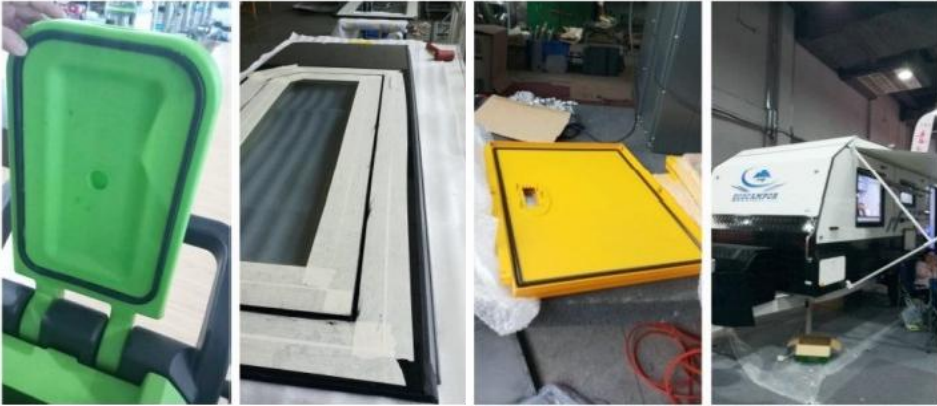
EPDM strip

Product's picture	Material	Density	Color	Spec	Remarks
	EPDM	0.2~0.8	Customized	10x8	
	EPDM	0.2~0.8	Customized	48x25	

Performance description of EPDM foam material

Item	Requirement	Standard
Shore Hardness	20-40	GB/T531-1999
Tensile strength Mpa	0.5~1.0	GB/T528-1998
Elongation at break %	100~300%	GB/T528-1998
Density	0.38~0.8	GB533-2003
Hot air aging test	Change in tensile strength: <15% Change in elongation at break: <40%	ASTM638
Pollution and compatibility	During product testing, it is not allowed to have solid imprints, foam, sticky, or uneven surfaces	Refer to the customer standard QC7643
Compression permanent deformation change rate	≈20%	JL60950
Low temperature brittleness test	-40°C	JL60950/QC/T639-2004
Ozone resistance	200~500PPHM 40°C×72h伸长20%	GBT7762-2003
Flame retardancy	vo	JL94
Fungus Resistance	Grade 1	GB/T2423.16
Environmental requirements	Compliant with ROHS	EU ROHS requirements
UV resistance test	After simulating solar radiation, there are no cracks, pinholes, or damages.	Refer to the customer standard YD1537-2006
Corrosive liquid test	After the test, there were no stress cracks, no coating peeling, no molting, and no color changes	Refer to the customer standard YD1537-2006
Product appearance inspection	It should be smooth, without distortion or deformation, with no cracks, bubbles, obvious impurities or other defects on the surface, and the color should be uniform and consistent	HG/T3090
Adhesive testing	Conventional network adhesive, release paper yellow	
Adhesive force of adhesive paper(N/25mm)	50mm/min speed: ≥13N	GB/T2792-1998
Adhesive strength of adhesive paper (room temperature, 1KG force)	≈2H	GB/T4851-1998
Adhesive strength of adhesive paper (80 °C, 0.5KG force)	≈1H	GB/T4851-1998

EPDM strips for cabinets

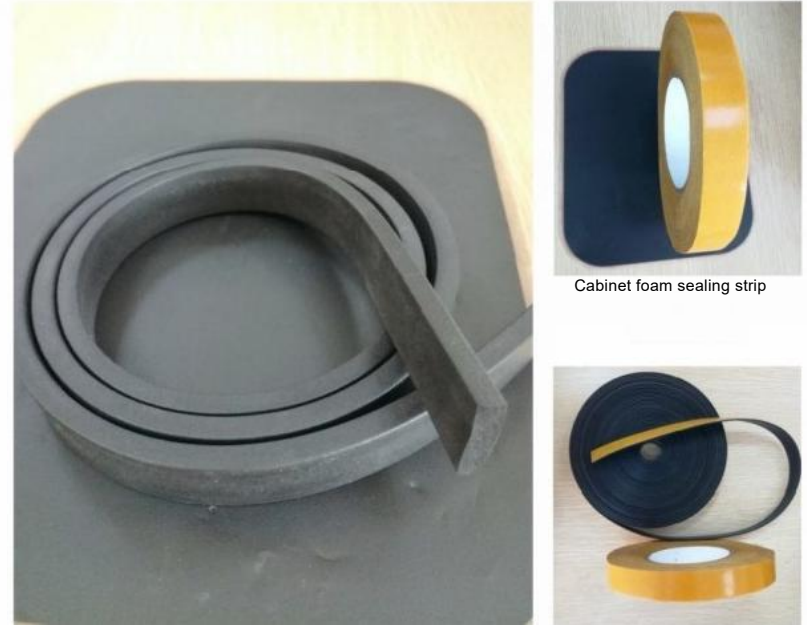


Application of EPDM sealing strip



Cabinet foam sealing strip

EPDM strips for cabinets



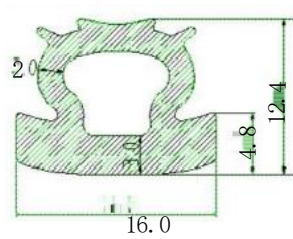
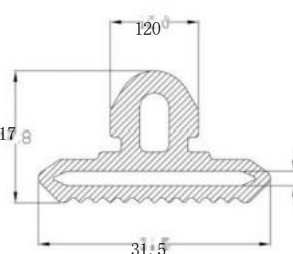
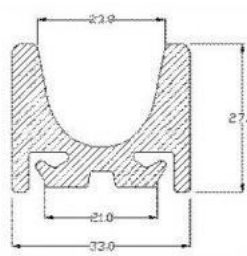
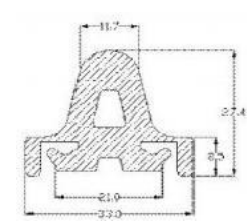
Cabinet foam sealing strip

Cabinet foam sealing strip

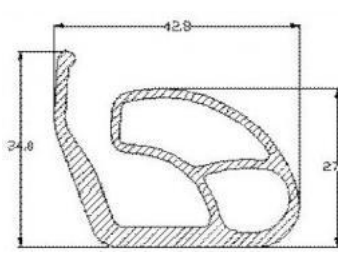
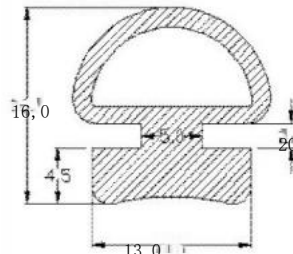
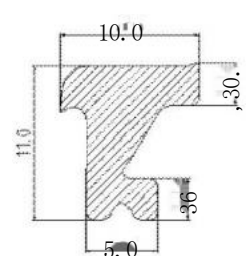
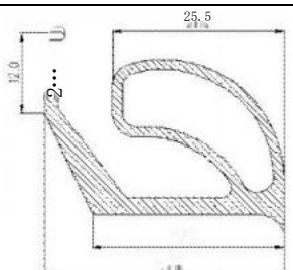


Cabinet foam sealing strip

EPDM profiles

Product's picture	No.	Material	Color
	Vehicle frame sealing strip	EPDM	Customized
	AB01-1102-1005	EPDM	Customized
	BYD447	EPDM	Customized
	BYD447	EPDM	Customized

EPDM profiles

Product's picture	No.	Material	Color
	C6-6700165&565	EPDM	Customized
	C6-6700341&641	EPDM	Customized
	C9-6100181A front door panel sealing strip	EPDM	Customized
	C9-6100183 sealing strip for the pedal under the door leaf	EPDM	Customized

2B. S
35.5



EPDM profiles

Product's picture	No.	Material	Color
	C9-6100412A front door frame sealing small rubber strip	EPDM	Customized
	C10M-5206114C front windshield installation rubber strip	EPDM	Customized
	C10M-5206115C - front windshield installation column strip	EPDM	Customized
	C10M-5206116C - Front windshield installation column strip	EPDM	Customized

EPDM profiles

Product's picture	No.	Material	Color
	D01-11021131 left door middle seam sealing strip/plug	EPDM	Customized
	D01-11022131 right door middle seam sealing strip	EPDM	Customized
	D01-11021141 left door edge sealing strip	EPDM	Customized
	K9C-5526321A-baffle rubber strip	EPDM	Customized



EPDM profiles

Product's picture	No.	Material	Color
	K9U-5402311A	EPDM	Customized
	MFT-04-001-sealing strip	EPDM	Customized
	Glass rubber strip (large)	EPDM	Customized
	Glass rubber strip (small)	EPDM	Customized

EPDM profiles

Product's picture	No.	Material	Color
	Rubber strip for escape door	EPDM	Customized
	Platform opposite rubber strip, left/right	EPDM	Customized
	MSBR2-MFT-395	EPDM	Customized
	MSBR1-MFT-396	EPDM	Customized



EPDM profiles

Product's picture	No.	Material	Color
	200#MFT-04-002-sealing strip	EPDM	Customized
	294 T-shaped sealing strip	EPDM	Customized
	125#	EPDM	Customized
	195#	EPDM	Customized

EPDM profiles

Product's picture	No.	Material	Color
	D01-11020320	EPDM	Customized
	MFT-467	EPDM	Customized
	Floor leather rubber mat strip	EPDM	Customized
	JFY001A1	EPDM	Customized



EPDM profiles

Product's picture	No.	Material	Color
	TK-6207131	EPDM	Customized
	Folding door glass and window rubber strip	EPDM	Customized
	JDGGC001	EPDM	Customized

EPDM profiles

Product's picture	No.	Material	Color
	JLG00	EPDM	Customized
	JLW001	EPDM	Customized
	EPDM strip	EPDM	Customized
	JPW007	EPDM	Customized



EPDM profiles

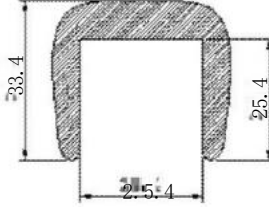
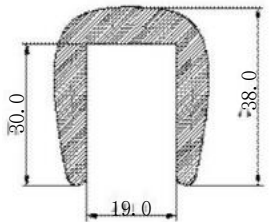
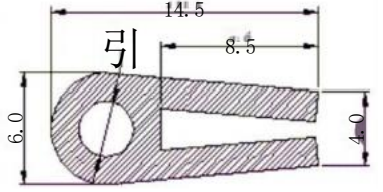
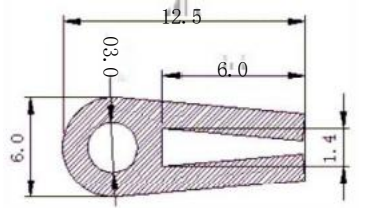
Product's picture	No.	Material	Color
	JQH001-1	EPDM	Customized
	JLWA001-A1	EPDM	Customized
	JXXS002	EPDM	Customized
	JXY2008	EPDM	Customized

EPDM profiles

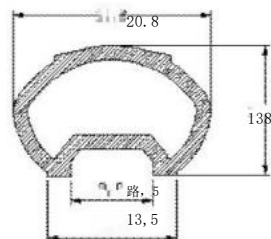
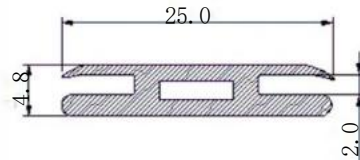
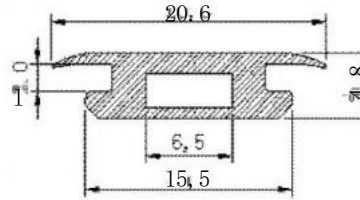
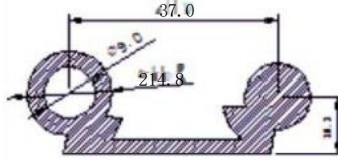
Product's picture	No.	Material	Color
	JAKP001-	EPDM	Customized
	JCY001	EPDM	Customized
	JDS001	EPDM	Customized
	JDZ001	EPDM	Customized



EPDM profiles

Product's picture	No.	Material	Color
	JHJA004	EPDM	Customized
	JHJA005	EPDM	Customized
	JHJU001	EPDM	Customized
	JHJU003	EPDM	Customized

EPDM profiles

Product's picture	No.	Material	Color
	JHNOO	EPDM	Customized
	JHNOO2	EPDM	Customized
	JHN004	EPDM	Customized
	JJH003	EPDM	Customized



EPDM profiles

Product's picture	No.	Material	Color
	JJLD001-1	EPDM	Customized
	JJYM002	EPDM	Customized
	JLW007A1	EPDM	Customized
	JPW008A1	EPDM	Customized

EPDM profiles

Product's picture	No.	Material	Color
	JQS004	EPDM	Customized
	JSG003	EPDM	Customized
	JFRD005	EPDM	Customized
	JSWP001	EPDM	Customized



EPDM profiles

Product's picture	No.	Material	Color
	JTYK001	EPDM	Customized
	JTYK002	EPDM	Customized
	JWS001	EPDM	Customized
	JXR001A	EPDM	Customized

EPDM profiles

Product's picture	No.	Material	Color
	JXR002A1	EPDM	Customized
	JXR003A1	EPDM	Customized
	JXXS001-1	EPDM	Customized
	JXXS001-2	EPDM	Customized



EPDM profiles

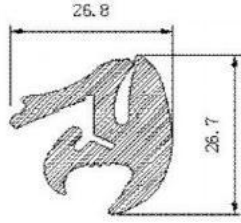
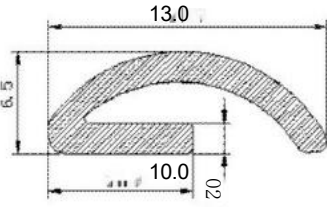
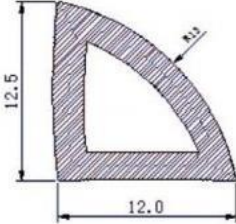
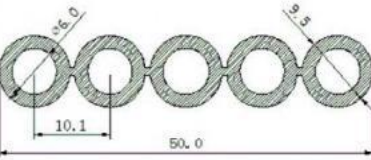
Product's picture	No.	Material	Color
	JXY2002	EPDM	Customized
	JXY2003	EPDM	Customized
	JXY2007	EPDM	Customized
	JYD001	EPDM	Customized

EPDM profiles

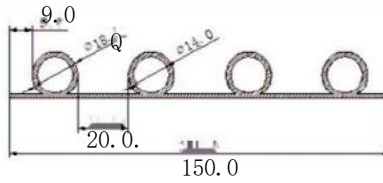
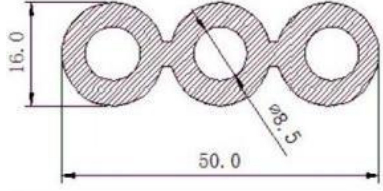
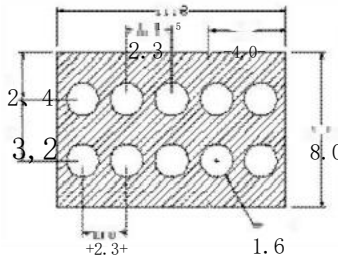
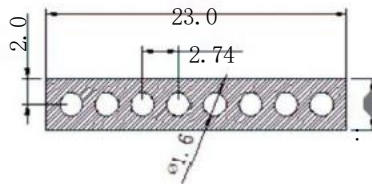
Product's picture	No.	Material	Color
	JYD002	EPDM	Customized
	JYK001	EPDM	Customized
	JYK002	EPDM	Customized
	JYK008	EPDM	Customized



EPDM profiles

Product's picture	No.	Material	Color
	JYS001	EPDM	Customized
	JZNO01	EPDM	Customized
	JZNO02	EPDM	Customized
	JADH001-1A3	EPDM	Customized

EPDM profiles

Product's picture	No.	Material	Color
	JHNYC001	EPDM	Customized
	JHYJ001A1	EPDM	Customized
	JSZXCO01	EPDM	Customized
	JSZXCO02	EPDM	Customized



EPDM profiles

Product's picture	No.	Material	Color
	JSZXC003	EPDM	Customized
	JSZXC004	EPDM	Customized
	JSZXC005	EPDM	Customized
	JSZXC006	EPDM	Customized

EPDM profiles

Product's picture	No.	Material	Size				
			A	B	C	D	E
	JHJU002	EPDM	15.5	13	4	3.8	1.1
	JJYM001	EPDM	19	13.5	4.2	4	1.2
	JPW006	EPDM	16	13	4.5	7	1.5
	JQY002-1	EPDM	14.4	10	4.4	6	1.5
	JHJA001	EPDM	21	13	2		
	JHJA002	EPDM	24	16	2		
	JHJA003	EPDM	27	19	2		
JHJA006	EPDM	31	23	2			
	JQQ00	EPDM	61	55	3	6	
	JQQ002	EPDM	76	70	3	6	
	JQQ003	EPDM	88	80	4	11	
	JQQ004	EPDM	115	105	5	13	
	JQQ005	EPDM	140	130	5	15	
	JQQ006	EPDM	165	155	5	17	

EPDM profiles

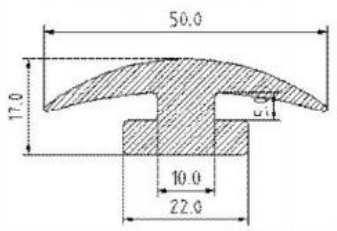
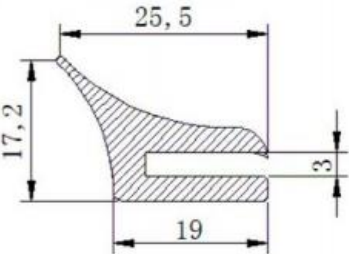
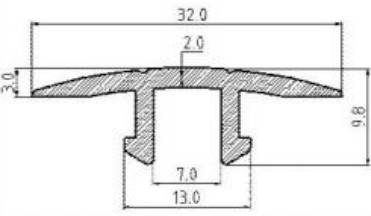
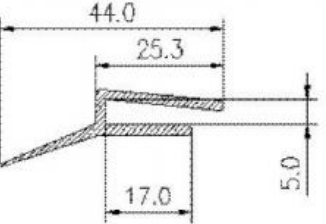


EPDM profiles

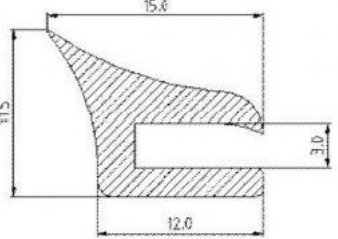
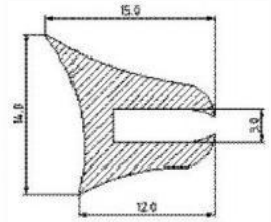
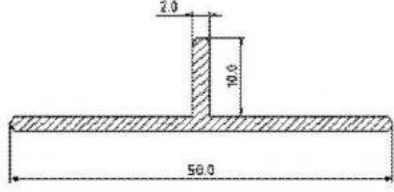
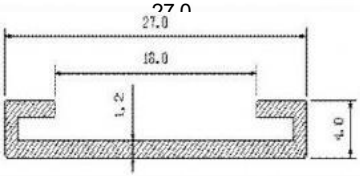




Silicone profiles

Product's picture	No.	Material	Color
	366#silicone strip	Silicone	Customized
	D01-11020310	Silicone	Customized
	MFT-189	Silicone	Customized
	MFT-160A	Silicone	Customized

Silicone profiles

Product's picture	No.	Material	Color
	MFT-146	Silicone	Customized
	MFT-153	Silicone	Customized
	MFT-04-009	Silicone	Customized
	JBNO01	Silicone	Customized



Silicone profiles

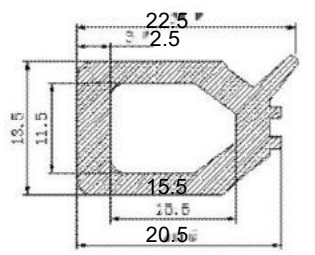
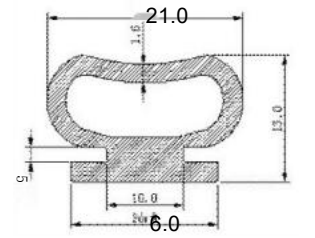
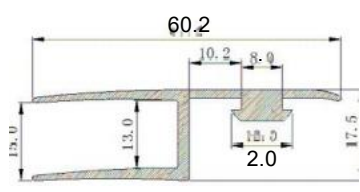
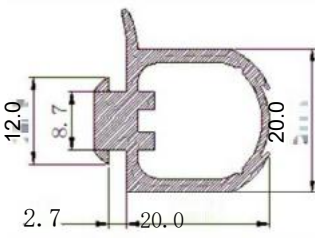
Product's picture	No.	Material	Color
	JBN002	Silicone	Customized
	JPX001-A1	Silicone	Customized
	JYDH005-1	Silicone	Customized
	JAKP002-1	Silicone	Customized

Silicone profiles

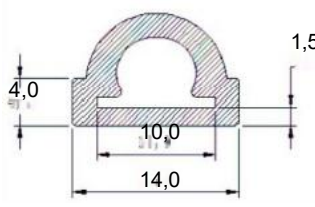
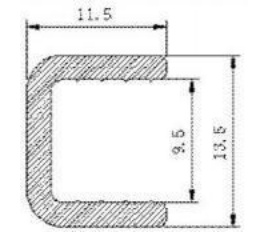
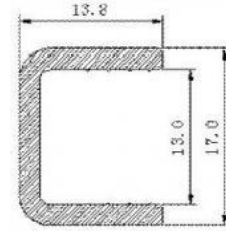
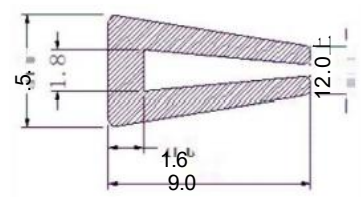
Product's picture	No.	Material	Color
	JASK001	Silicone	Customized
	JASWJ00	Silicone	Customized
	JASWJ002	Silicone	Customized
	JBR001	Silicone	Customized



Silicone profiles

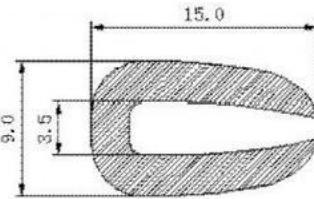
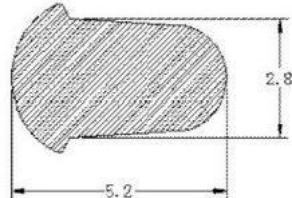
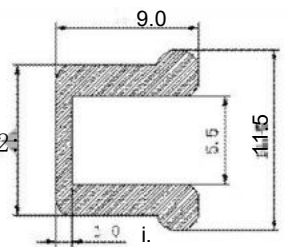
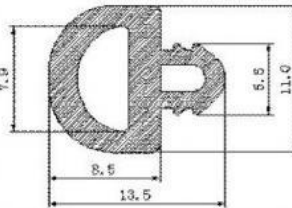
Product's picture	No.	Material	Color
	JCD002	Silicone	Customized
	JCDO03	Silicone	Customized
	JCHS001	Silicone	Customized
	JCHS002	Silicone	Customized

Silicone profiles

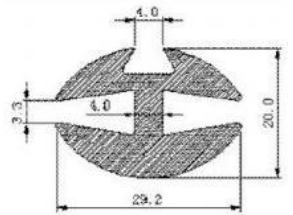
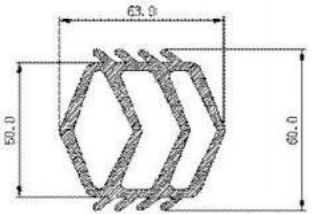
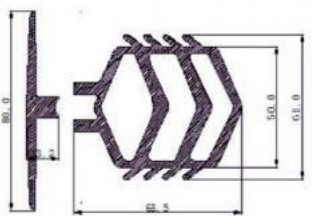
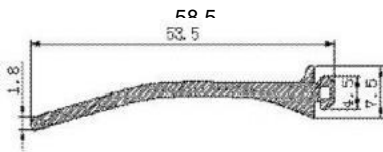
Product's picture	No.	Material	Color
	JDH007A	Silicone	Customized
	JFLW001	Silicone	Customized
	JFLW002	Silicone	Customized
	JGC001	Silicone	Customized



Silicone profiles

Product's picture	No.	Material	Color
	JGD001	Silicone	Customized
	JGDO02	Silicone	Customized
	JHD001	Silicone	Customized
	JKR002-A1	Silicone	Customized

Silicone profiles

Product's picture	No.	Material	Color
	JLBJR00	Silicone	Customized
	LTO01	Silicone	Customized
	LT002	Silicone	Customized
	LT003	Silicone	Customized



Silicone profiles

Product's picture	No.	Material	Color
	JSB00	Silicone	Customized
	JSBO02	Silicone	Customized
	JSL001-1	Silicone	Customized
	JSL002	Silicone	Customized

Silicone profiles

Product's picture	No.	Material	Color
	JSL003	Silicone	Customized
	JSLD001A1	Silicone	Customized
	JTL001-0	Silicone	Customized
	JXB0QIA	Silicone	Customized



Silicone profiles

Product's picture	No.	Material	Color
	JXB002	Silicone	Customized
	JXB003	Silicone	Customized
	JXB004	Silicone	Customized
	JXB005	Silicone	Customized

Silicone profiles

Product's picture	No.	Material	Color
	JXB006	Silicone	Customized
	JXB007	Silicone	Customized
	JXHT015A1	Silicone	Customized
	JYK003	Silicone	Customized



Silicone profiles

Product's picture	No.	Material	Color
	JYK004	Silicone	Customized
	JYK005	Silicone	Customized
	JYK006	Silicone	Customized
	JYK007	Silicone	Customized

Silicone profiles

Product's picture	No.	Material	Color
	JYX001A2	Silicone	Customized
	JZXS001A1	Silicone	Customized
	JJFE004	Silicone	Customized
	JJFE005	Silicone	Customized
	JJFE013	Silicone	Customized



Silicone profiles



Silicone profiles





Silicone foam strip

Product's picture	No.	Material	Density	Color
	JJFE00	Silicone	0.2~1.0	Customized
	JJFEO02	Silicone	0.2~1.0	Customized
	JJFE06	Silicone	0.2~1.0	Customized
	JJFE07	Silicone	0.2~1.0	Customized

Silicone foam strip

Product's picture	No.	Material	Density	Color
	JJFE008	Silicone	0.2~1.0	Customized
	JJFE009	Silicon	0.2~1.0	Customized
	JJFE010	Silicone	0.2~1.0	Customized
	JJFE011	Silicon	0.2~1.0	Customized



Silicone foam strip

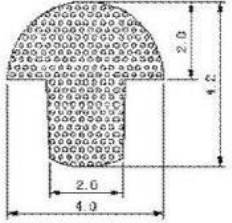
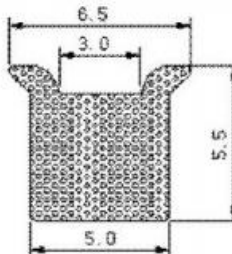
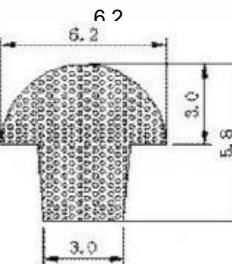
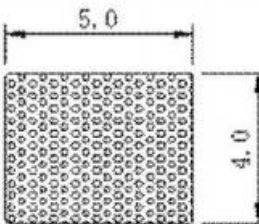
Product's picture	No.	Material	Density	Color
	JJFEO12	Silicone	0.2~1.0	Customized
	JJFEO14	Silicone	0.2~1.0	Customized
	JJFEO15	Silicone	0.2~1.0	Customized
	JJFEO16	Silicone	0.2~1.0	Customized

Silicone foam strip

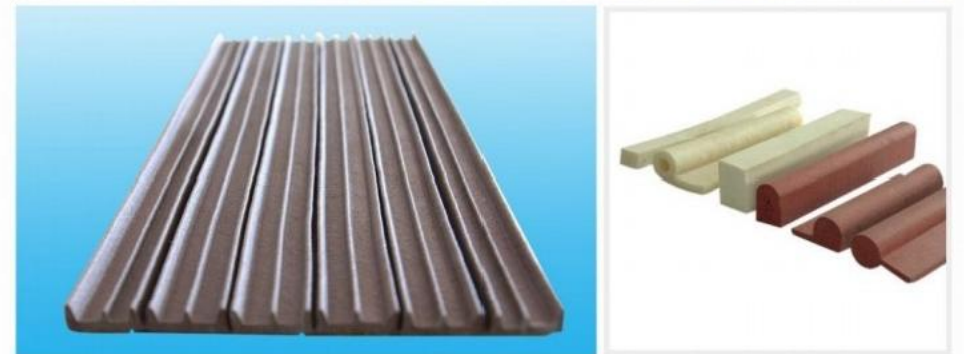
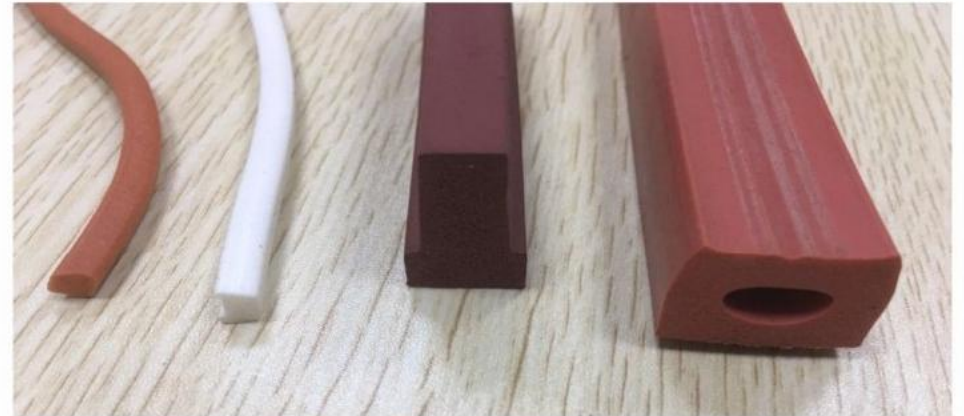
Product's picture	No.	Material	Density	Color
	JJFEO19	Silicone	0.2~1.0	Customized
	JJFEO22	Silicone	0.2~1.0	Customized
	JJFEO23	Silicone	0.2~1.0	Customized
	JJFEO24	Silicone	0.2~1.0	Customized



Silicone foam strip

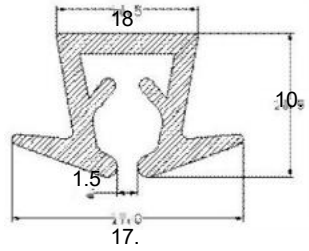
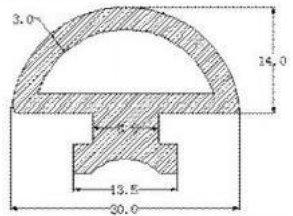
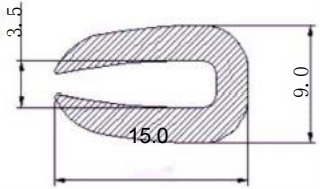
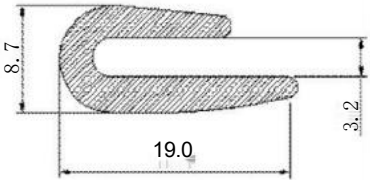
Product's picture	No.	Material	Density	Color
	JJFEO25	Silicone	0.2~1.0	Customized
	JJFEO27	Silicone	0.2~1.0	Customized
	JJFEO28	Silicone	0.2~1.0	Customized
	JJFEO29	Silicone	0.2~1.0	Customized

Silicone foam strip

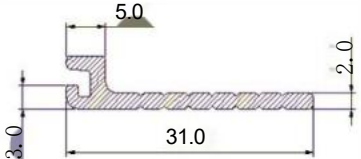
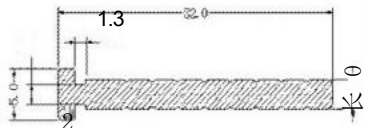
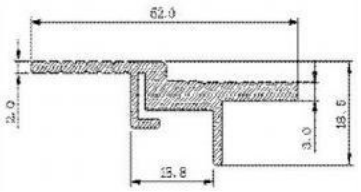
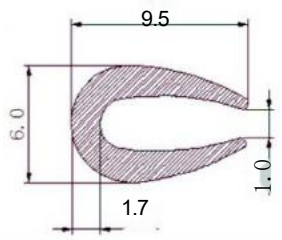




PVC profiles

Product's picture	No.	Material	Color
	JCZQS001	PVC	Customized
	JCZQS002	PVC	Customized
	JGD001	PVC	Customized
	JLBJR002A	PVC	Customized

PVC profiles

Product's picture	No.	Material	Color
	JAJ001	PVC	Customized
	JAJ002	PVC	Customized
	JAJ003-1	PVC	Customized
	JBDYX002	PVC	Customized



PVC profiles

Product's picture	No.	Material	Color
	JHQ001	PVC	Customized
	JLX002,003	PVC	Customized
	JLYU001A17	PVC	Customized
	LYU002A12	PVC	Customized
	LYU003-1	PVC	Customized

PVC profiles

Product's picture	No.	Material	Color
	JFRD008	PVC	Customized
	JYYL001A4	PVC	Customized
	JYYL002A3	PVC	Customized
	JYYL003A1	PVC	Customized
	JYYL004A3	PVC	Customized

PVC profiles



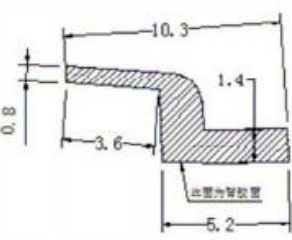
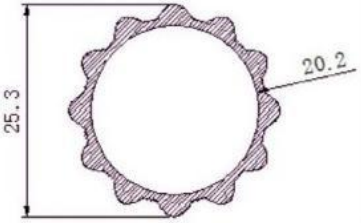
Round tube

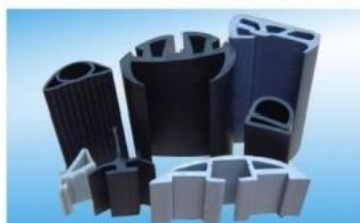
TPV profiles

Product's picture	No.	Material	Color
	JASWJ003	TPV	Customized
	JMXA001-1	TPV	Customized
	JXY2006-A1	TPV	Customized
	JXY2009-1	TPV	Customized



TPV profiles rubber strip and TPE tensile pipe

Product's picture	No.	Material	Color
	JXY2010-	TPV	Customized
	JXY2012-1	TPV	Customized



TPV profiles rubber strip



PVC and EPDM composite strip

Composite strip, also known as skeleton sealant strip, we can currently produce and supply two types of products: PVC composite strip and EPDM composite strip.

PVC composite strips are formed by co extrusion of PVC (polyvinyl chloride plastic) coated metal strips. The surface of PVC generally adopts a bite pattern appearance, and is divided into two types based on the different directions of the metal strip clamping: straight and side clamping grooves. Metal strips with clamping ability are installed to clamp the aluminum plate or plastic plate, playing a role in fixing and sealing.

PVC composite strips have the advantages of simple installation, tight clamping, and affordable prices. They are usually used at cabinet doors in various communication, power, energy storage, and industrial air conditioning systems.

EPDM composite strip is formed by co extrusion of EPDM (ethylene propylene diene monomer rubber) coated metal strips. The appearance of dense EPDM can be designed with bite patterns, and it can be divided into two types based on the direction of the metal card slot. According to the density of the composite type, it can be divided into EPDM dense +metal strip and EPDM dense +metal strip+EPDM foam . Generally, the dense part serves as the main body of the metal strip, and the foam serves as the sealing and buffering function. The foam part is generally circular, and the surface needs to be punched to eliminate the air inside the pipe after the rubber strip is closed EPDM composite strips have the characteristics of easy and simple installation, firm positioning, good aging resistance, and excellent sealing performance. They are widely used in the door and window industries of automobiles, machinery, and various cabinets.

We can customize composite extruded rubber strips of various specifications, models, sizes, and appearances according to customer requirements..

PVC and EPDM composite strip





Molded parts

Item	Rubber sleeve	Item	Rubber sleeve	Item	Duckbill valve
No.	c8a-8125711-20	No.	c8a-8125712-26	No.	91GLEM12-09023
Material	EPDM	Material	EPDM	Material	EPDM

Item	Rubber sleeve	Item	Rubber sleeve	Item	Dampening pad
No.	c8a-8125713-20	No.	c8a-8125714-26	No.	
Material	EPDM	Material	EPDM	Material	EPDM

Item	Rubber parts	Item	Rubber parts	Item	Rubber parts
No.	k6c-5306820-151222	No.	k6c-5306820-151222	No.	k6c-5306820-151222
Material	EPDM	Material	EPDM	Material	EPDM

Molded parts

Item	Rubber parts	Item	Rubber parts	Item	Rubber parts
No.	k9-4016219-1	No.	k9-4016221	No.	k9-4016222
Material	EPDM	Material	EPDM	Material	EPDM

Item	Rubber parts	Item	Rubber parts	Item	Rubber parts
No.	k9-4016222	No.	k9-4016229_4090	No.	k9-4016239_3060
Material	EPDM	Material	EPDM	Material	EPDM

Item	Rubber parts	Item	Rubber parts	Item	Rubber parts
No.	k9-4016256_1	No.	k9-4016257_1	No.	k9-4016258
Material	EPDM	Material	EPDM	Material	EPDM



Extrusion department



Molding department



Lab equipment



Overall view of the lab



Fatigue tensile testing machine



Density meter



High temperature aging chamber



Ozone detection machine

Lab equipment



红外线胶管测径仪



Water tube insertion and extraction force testing equipment



Tensile machine



Bursting Testing Machine



Flexibility testing machine



Lab equipment



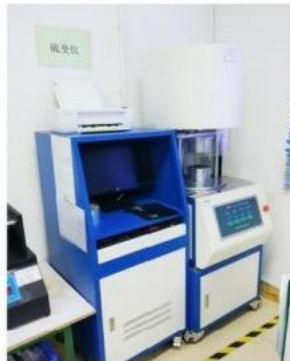
Humidity chamber



Rubber tube pressure tester



High temperature test chamber



Sulfur analyzer



Ozone detection machine

Cooperation partners



Volkswagen



中国一汽



宇通集团



长安汽车



KING LONG
金龙客车



LIFAN



长丰猎豹